

## S-WD 11C 3.8xL; 4.2xL; Coated self-drilling wing tip screws

### Product Data

#### General information

Material Specification:

Carbon steel: case-hardened

Coating : Duplex Coating

Fastening Tool:

Screw driver: Hilti ST 1800-A22 / ST 1800

Bit: S-B PH 2 T

Bit holder: S-BH R 50 M

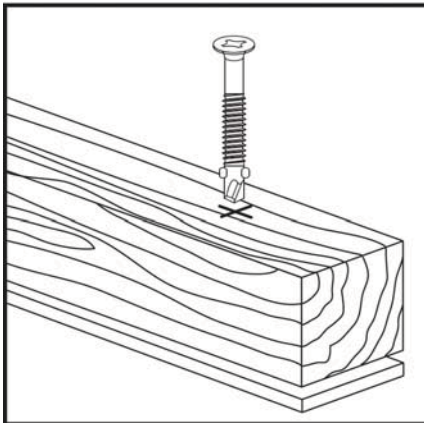
Item no. 257618

Item no. 408553

#### Dimensions



### Applications



### Load data

#### S-WD11C 3.8 x L

Characteristic loads		Component II steel with $t_{II}$ [mm] S280GD, S320GD or S350GD (EN 10326)			
		1.25	1.50	2.00	2.50
		<b>Shear force <math>V_{Rk}</math> [kN]</b>			
Component I Solid timber S10/C24 $t_I$ [mm]	10	0.80	0.80	0.80	0.80
	15	0.80	0.80	0.80	0.80
	20	0.80	0.80	0.80	0.80
	(25)	0.80	0.80	0.80	0.80
	<b>Tensile force <math>N_{Rk}</math> [kN]</b>				
	10	0.79	0.79	0.79	0.79
	15	0.79	0.79	0.79	0.79
	20	0.79	0.79	0.79	0.79
(25)	0.79	0.79	0.79	0.79	

## S-WD11C 4.2 x L

Characteristic loads		Component II steel with $t_{II}$ [mm] S280GD, S320GD or S350GD (EN 10326)			
		1.25	1.50	2.00	2.50
		Shear force $V_{Rk}$ [kN]			
Component I Solid timber S10/C24 $t_1$ [mm]	10	0.85	0.85	0.85	0.85
	15	0.85	0.85	0.85	0.85
	20	0.85	0.85	0.85	0.85
	(25)	0.85	0.85	0.85	0.85
	Tensile force $N_{Rk}$ [kN]				
	10	0.79	0.79	0.79	0.79
	15	0.79	0.79	0.79	0.79
	20	0.79	0.79	0.79	0.79
	(25)	0.79	0.79	0.79	0.79

## Safety factors

	Tension	Shear
<b>Partial safety concept</b>		
Partial safety factor	$\gamma_M = 1.33$	$\gamma_M = 1.33$
Design load	$N_{Rd} = N_{Rk} / 1.33$	$V_{rec} = V_{Rd} / 1.33$
<b>Global safety concept</b>		
Global safety factor	$\gamma_{GLOB} = 2.0$	$\gamma_{GLOB} = 2.0$
Recommended load	$N_{rec} = N_{Rk} / 2.0$	$V_{rec} = V_{Rk} / 2.0$

## Screw Selection

## Screw program

Drilling thickness max. <b>DC</b> [mm]	Fastening thickness max. <b>MF</b> [mm]	Dimensions (dxL) [mm]	Head size AF	Package contents	Ordering designations	Item no.
2.5	15mm	3.8x30	8mm	200	S-WD 11C 3.8x30	416231
2.5	26mm	3.8x41	8mm	200	S-WD 11C 3.8x41	416233
2.5	42mm	3.8x57	8mm	100	S-WD 11C 3.8x57	416234
2.5	10mm	4.2x25	8mm	200	S-WD 11C 4.2x25	416235